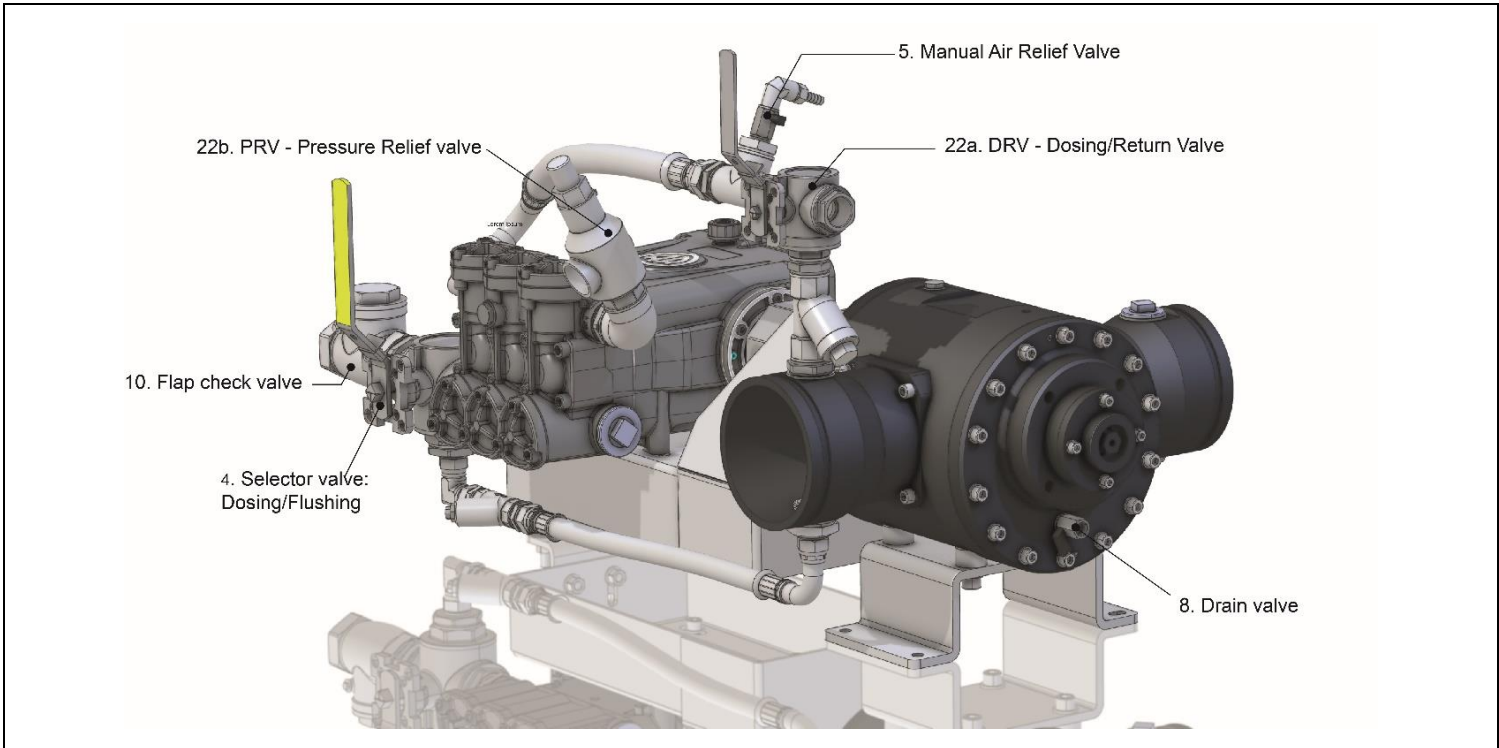
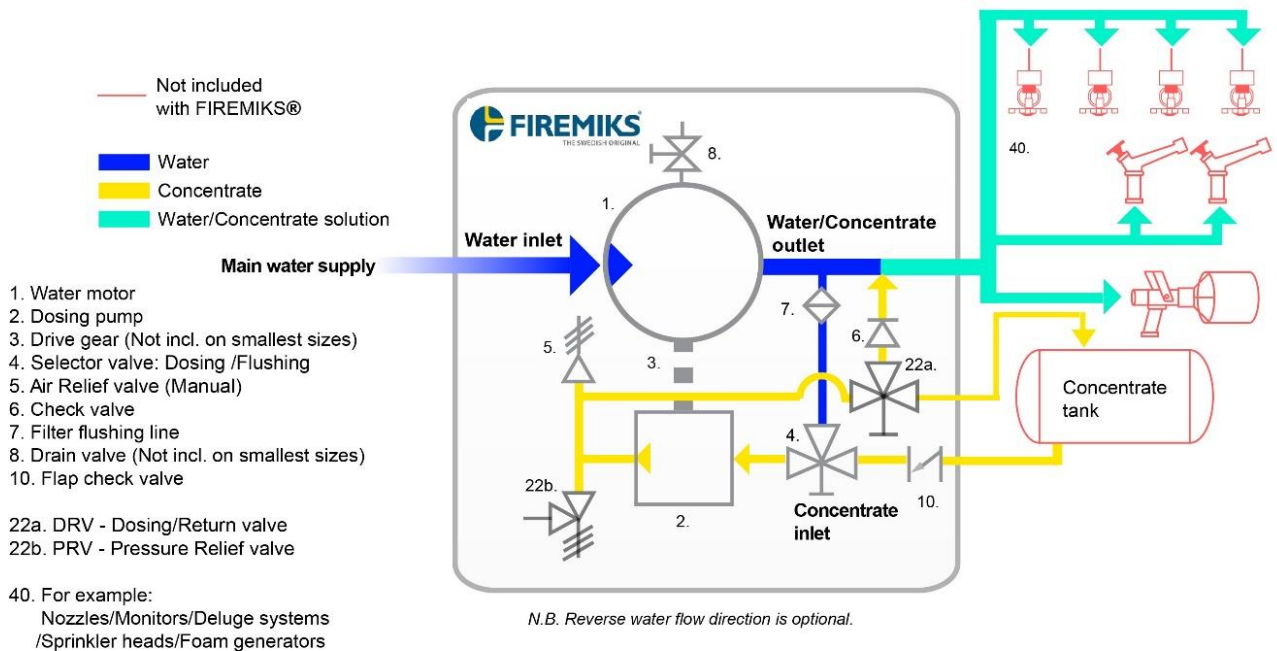


# QUICK INSTRUCTION / VALVE POSITIONS

## FIREMIKS PP-model for Fixed installation with Dosing/Return Valve option (DRV)



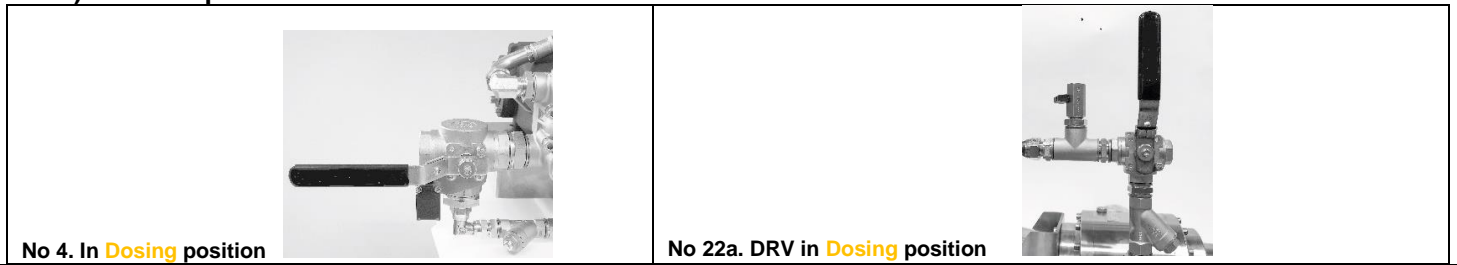
### Principle Flow chart



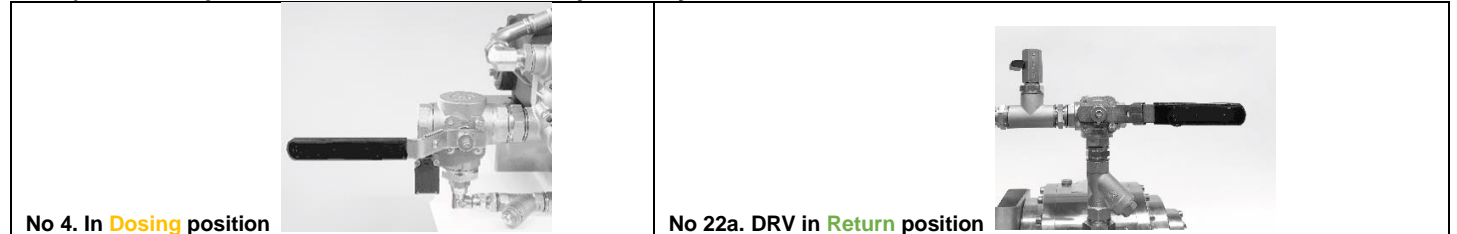
**Always read and understand the [full FIREMIKS Instruction manual](#) before starting, operating or servicing the machine, failure to do so can lead to serious injury. Unit is CE-marked.**

# Positions of valves

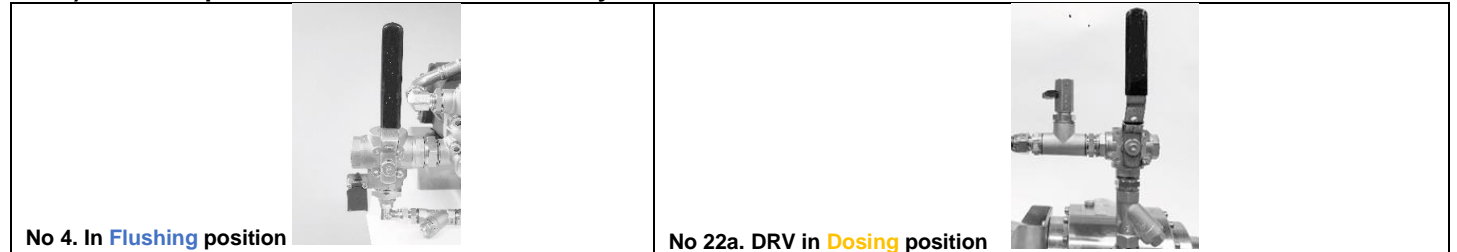
A) Correct position when **DOSING** the concentrate into water flow:



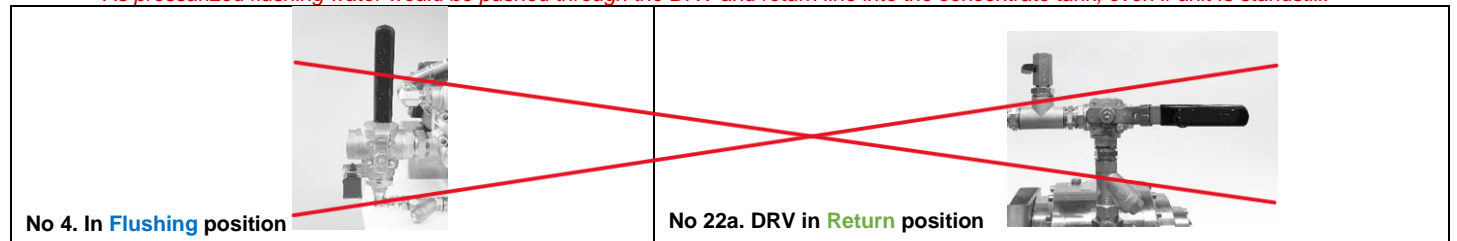
B) Correct position when **TESTING** the system by **RETURNING** the concentrate back to tank:



C) Correct position when **FLUSHING** the system:



**Note! DO NOT PUT, AT THE SAME TIME, THESE TWO VALVES IN THE BELOW POSITION!**  
*As pressurized flushing water would be pushed through the DRV and return line into the concentrate tank, even if unit is standstill.*



Note! When rotating the water motor with Manual maintenance wrench, always set the valves in C) position for **FLUSHING**

Always make fast determined switches with the No 4. Selector valve and No 22a. DRV, leaving them only at their end positions.

No 22.b (PRV) Pressure Relief valve is a security device to protect from over-pressure. It is only active if concentrate return line is blocked in any way when testing the unit with No 22a. Dosing/Return valve (DRV) in Return position.

