

1

2

3

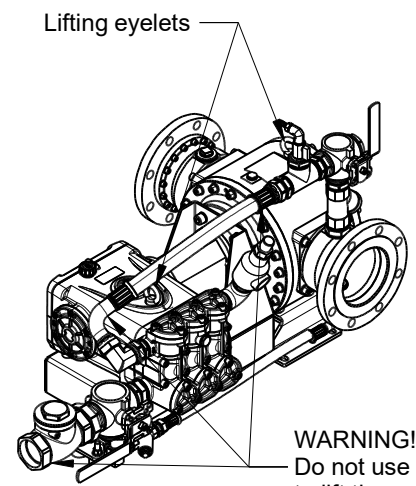
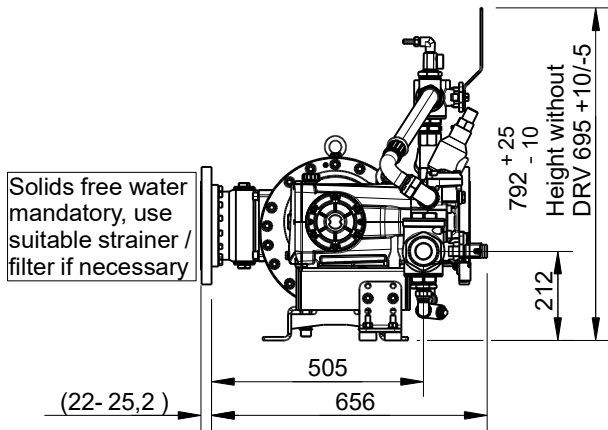
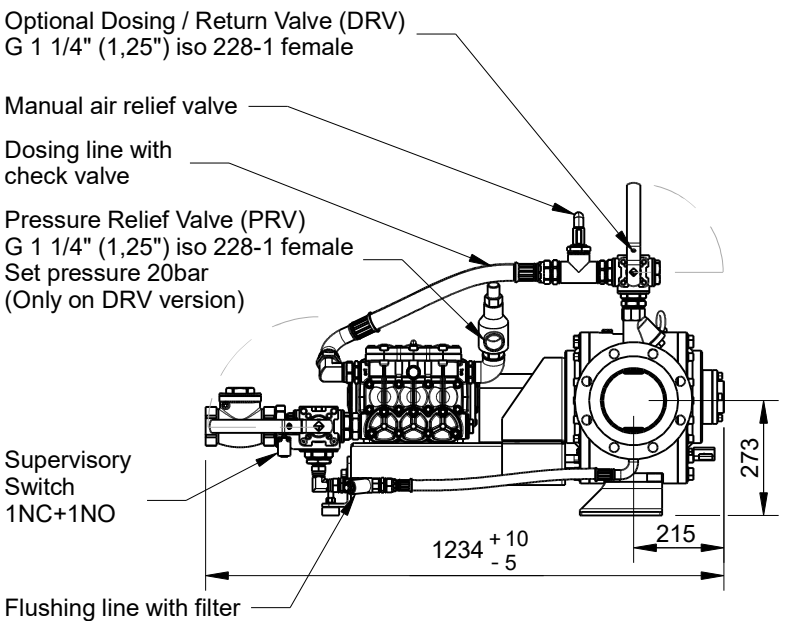
4

5

6

RevNo	Revision note	Date	Signature	Checked
-------	---------------	------	-----------	---------

A



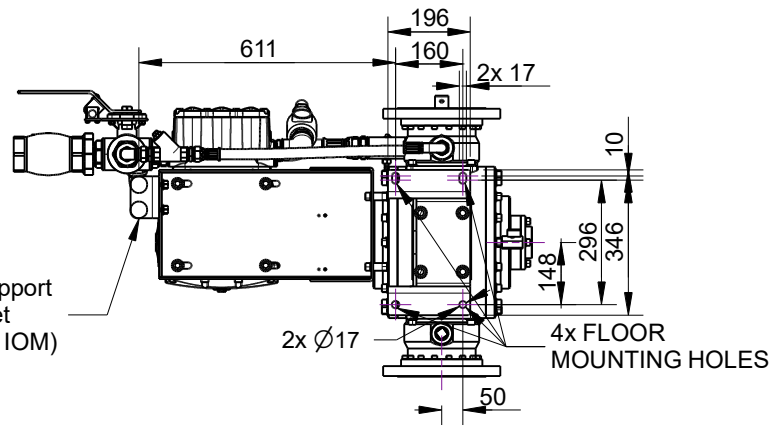
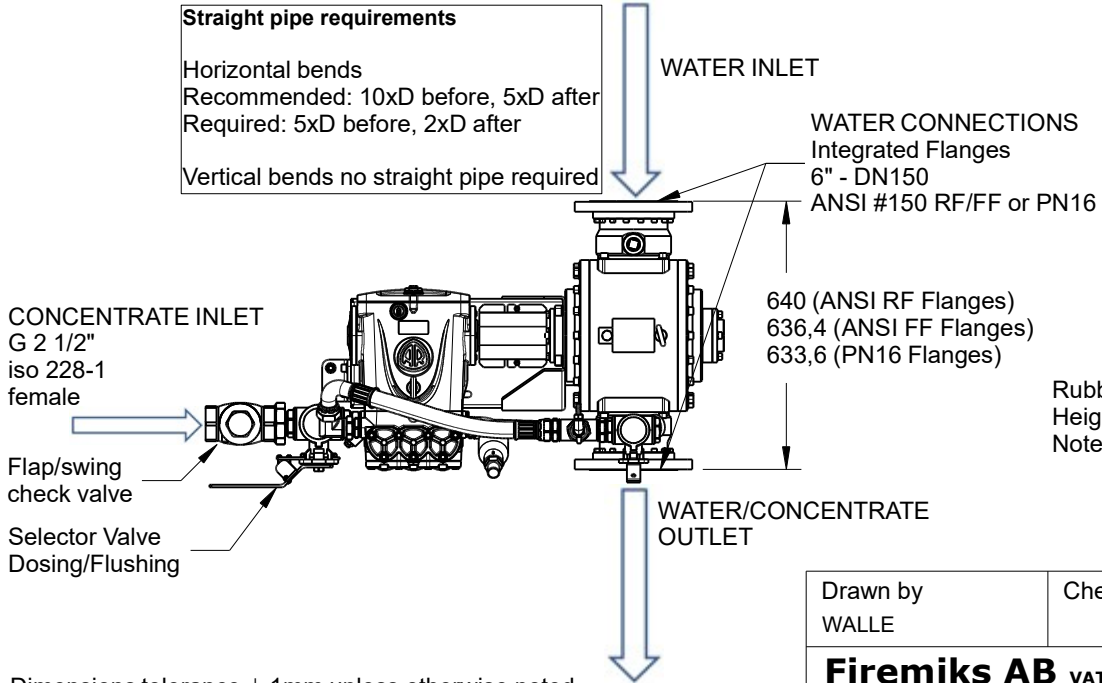
B

Straight pipe requirements

Horizontal bends
Recommended: 10xD before, 5xD after
Required: 5xD before, 2xD after

Vertical bends no straight pipe required

C



D

Drawn by WALLE	Checked by	Approved by - date MKA	File name	Date 2024-01-20	Scale 1:18
-------------------	------------	---------------------------	-----------	--------------------	---------------

Dimensions tolerance ± 1mm unless otherwise noted
Reverse water flow direction is optional, layout is then mirrored exactly
Vertical water flow optional, modified layout available on request.
We reserve the right to make changes without prior notice

Firemiks AB VAT no: SE556799500501
www.firemiks.com
info@firemiks.com +46-8-551 196 10

DD - 26072
FIREMIKS 4000-3-PP-F-FA Flange

Copyright of Firemiks AB
 All rights reserved

Edition
 Sheet 1/1

1

2

3

6

A

B

C

D