

1

2

3

4

5

6

RevNo	Revision note	Date	Signature	Checked
-------	---------------	------	-----------	---------

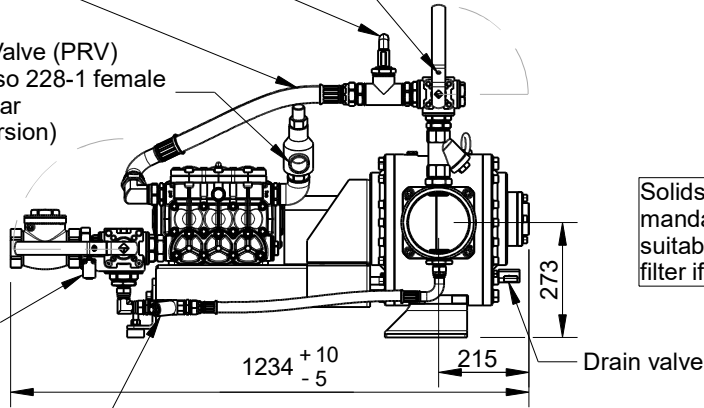
Optional Dosing / Return Valve (DRV)
 G 1 1/4" (1,25") iso 228-1 female
 Manual air relief valve

Dosing line with check valve

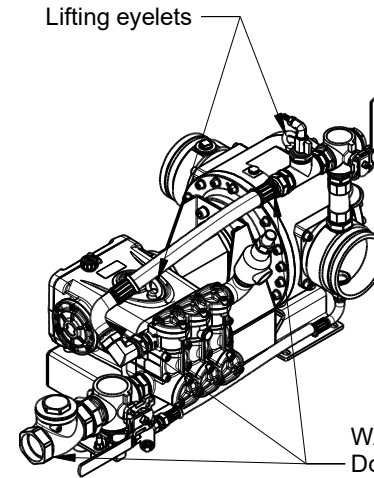
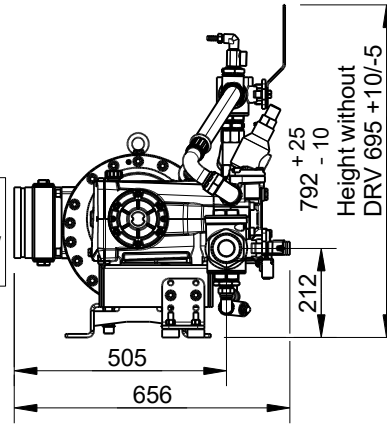
Pressure Relief Valve (PRV)
 G 1 1/4" (1,25") iso 228-1 female
 Set pressure 20bar
 (Only on DRV version)

Supervisory Switch
 1NC+1NO

Flushing line with filter



Solids free water mandatory, use suitable strainer / filter if necessary



Straight pipe requirements

Horizontal bends
 Recommended: 10xD before, 5xD after
 Required: 5xD before, 2xD after
 Vertical bends no straight pipe required

WATER INLET

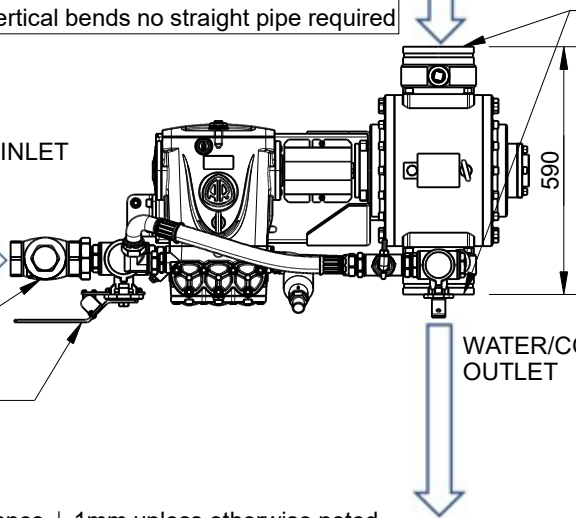
WATER CONNECTIONS
 CUT GROOVE
 ANSI/AWWA C606-15
 6" - DN150 (168,3mm)

CONCENTRATE INLET
 G 2 1/2" - DN65
 iso 228-1 female

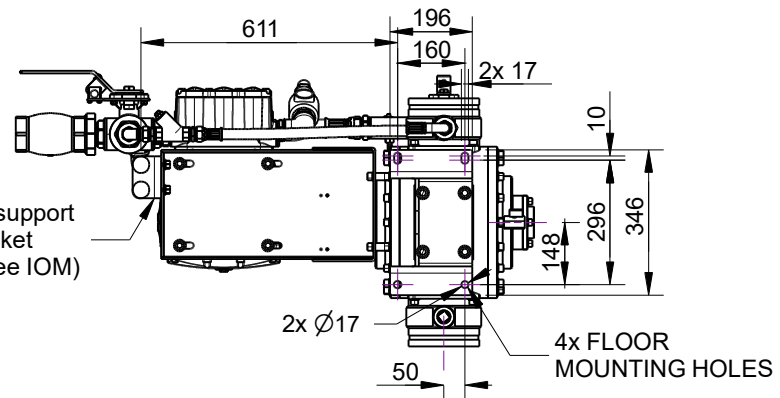
Flap check valve

Selector Valve
 Dosing/Flushing

WATER/CONCENTRATE
 OUTLET



Rubber feet for pump support
 Height adjustable bracket
 Note: Do not fixate! (see IOM)



Drawn by WALLE	Checked by	Approved by - date MKA	File name	Date 2024-01-20	Scale 1:18
-------------------	------------	---------------------------	-----------	--------------------	---------------

Dimensions tolerance ± 1mm unless otherwise noted
 Reverse water flow direction is optional, layout is then mirrored exactly
 Vertical water flow optional, modified layout available on request.
 We reserve the right to make changes without prior notice

Firemiks AB VAT no: SE556799500501
www.firemiks.com
info@firemiks.com +46-8-551 196 10

DD - 26071
FIREMIKS 4000-3-PP-F-FA Cut Groove

Copyright of Firemiks AB
 All rights reserved

Edition
 Sheet
 1/1



1

2

3

6