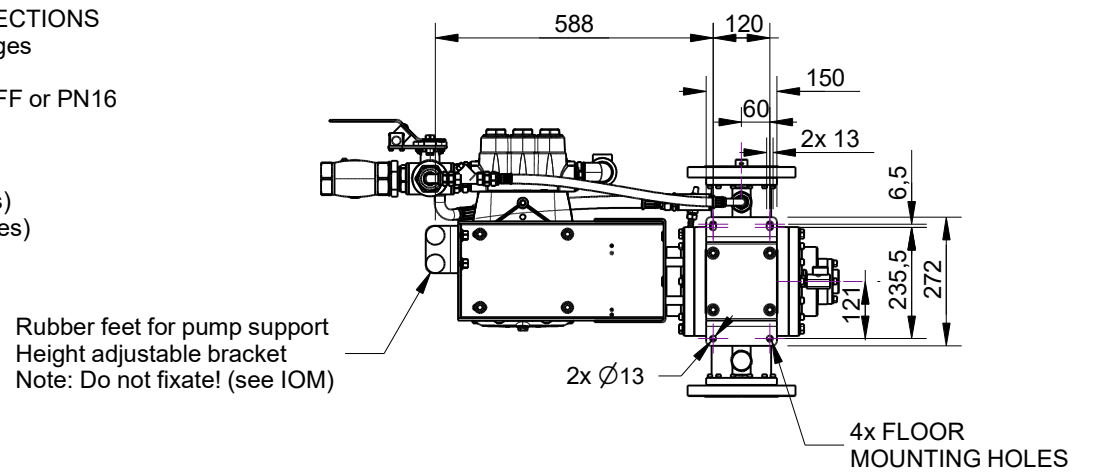
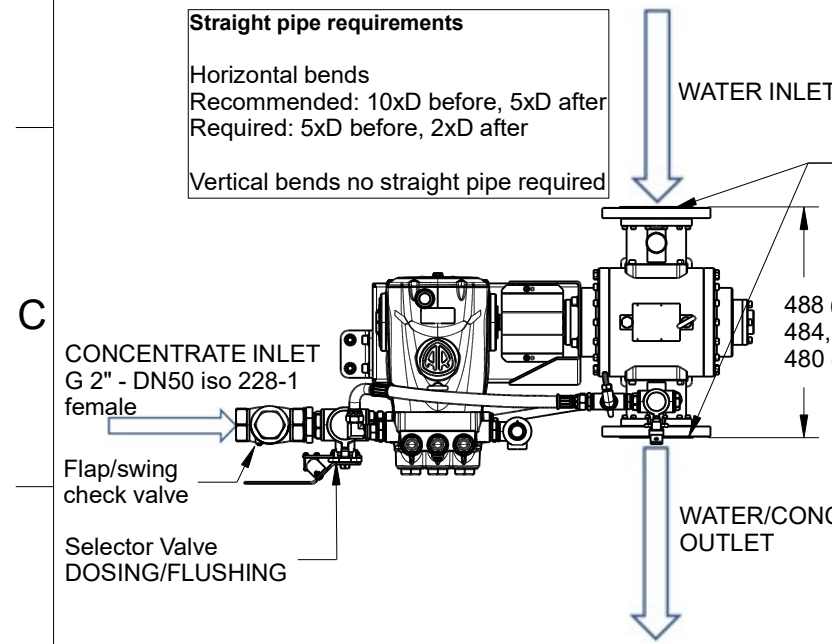
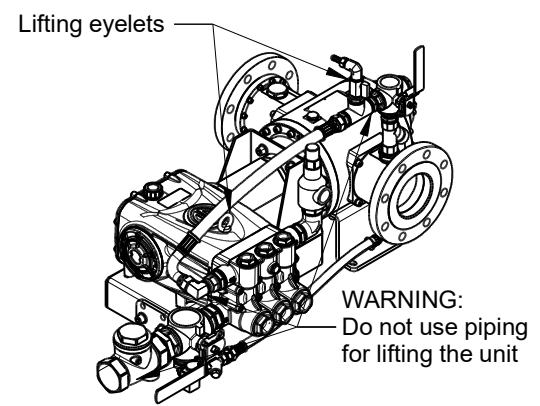
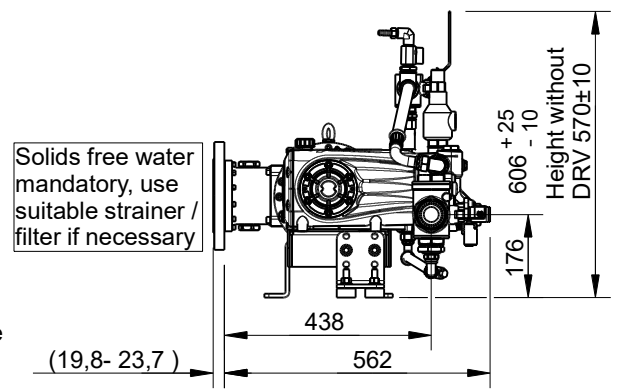
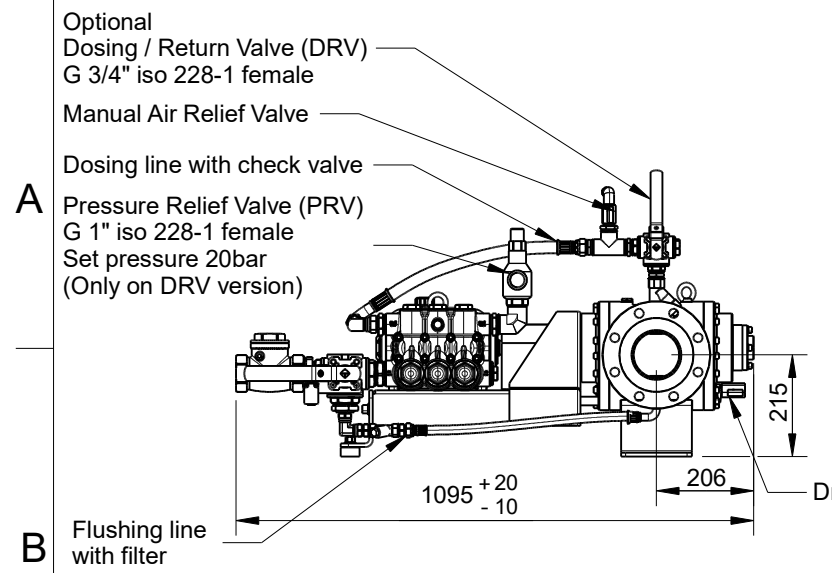


RevNo	Revision note	Date	Signature	Checked
-------	---------------	------	-----------	---------



Drawn by WALLE	Checked by	Approved by - date	File name	Date 2024-02-15	Scale 1:16
-------------------	------------	--------------------	-----------	--------------------	---------------

Dimensions tolerance ± 1mm unless otherwise noted
 Reverse water flow direction is optional, layout is then mirrored exactly
 Vertical water flow optional, modified layout available on request.
 We reserve the right to make changes without prior notice

Firemiks AB VAT no: SE556799500501 www.firemiks.com info@firemiks.com +46-8-551 196 10	DD - 26053 FIREMIKS 2400-3-PP-F-FA Flange		
	Copyright of Firemiks AB All rights reserved - Authorised use only	Edition	