

1

2

3

4

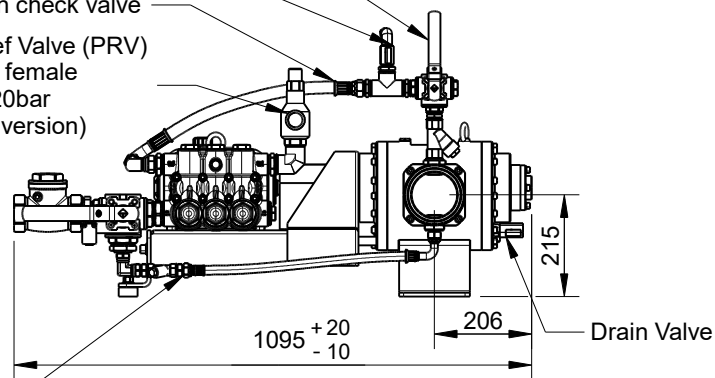
5

6

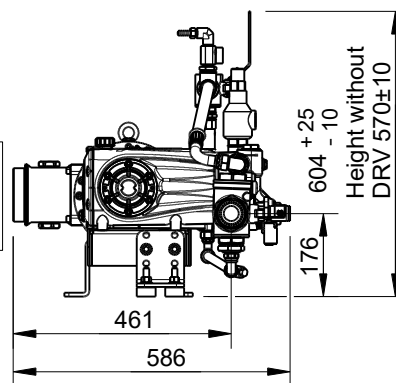
RevNo	Revision note	Date	Signature	Checked
-------	---------------	------	-----------	---------

Optional
 Dosing / Return Valve (DRV)
 G 3/4" iso 228-1 female
 Manual Air Relief Valve

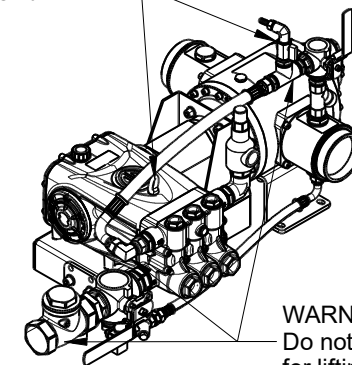
Dosing line with check valve
 Pressure Relief Valve (PRV)
 G 1" iso 228-1 female
 Set pressure 20bar
 (Only on DRV version)



Solids free water mandatory, use suitable strainer / filter if necessary



Lifting eyelets



WARNING:
 Do not use piping for lifting the unit

A

A

B

B

Straight pipe requirements

Horizontal bends
 Recommended: 10xD before, 5xD after
 Required: 5xD before, 2xD after
 Vertical bends no straight pipe required

WATER INLET

WATER CONNECTIONS
 iso 228-1
 G4" - DN100
 Male

C

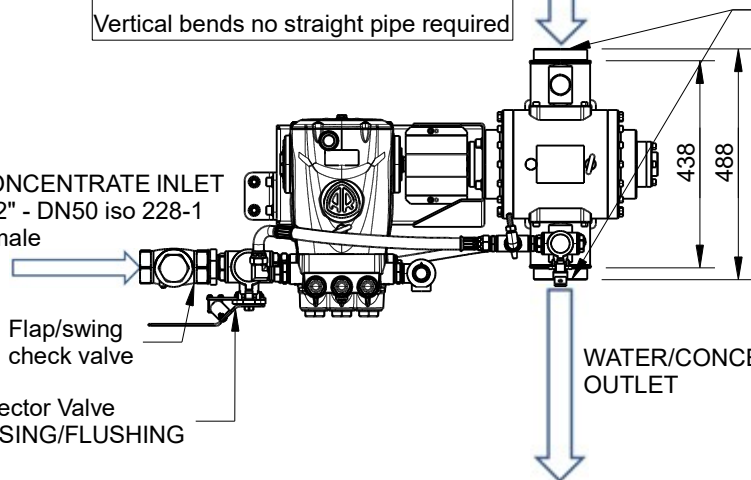
C

CONCENTRATE INLET
 G 2" - DN50 iso 228-1 female

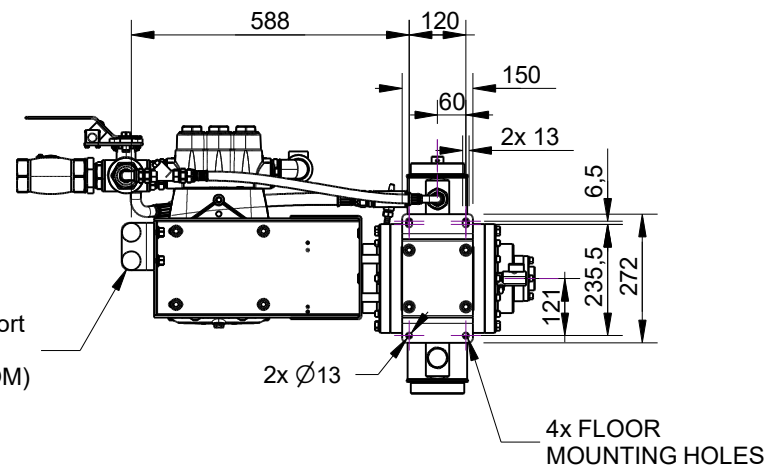
Flap/swing check valve

Selector Valve
 DOSING/FLUSHING

WATER/CONCENTRATE OUTLET



Rubber feet for pump support
 Height adjustable bracket
 Note: Do not fixate! (see IOM)



D

D

Drawn by WALLE	Checked by	Approved by - date	File name	Date 2024-02-15	Scale 1:16
-------------------	------------	--------------------	-----------	--------------------	---------------

Dimensions tolerance ± 1mm unless otherwise noted
 Reverse water flow direction is optional, layout is then mirrored exactly
 Vertical water flow optional, modified layout available on request.
 We reserve the right to make changes without prior notice

Firemiks AB VAT no: SE556799500501
www.firemiks.com
info@firemiks.com +46-8-551 196 10

DD - 26052
FIREMIKS 2400-3-PP-F-FA G4

Copyright of Firemiks AB
 All rights reserved - Authorised use only

Edition Sheet



1

2

3

6