

1

2

3

4

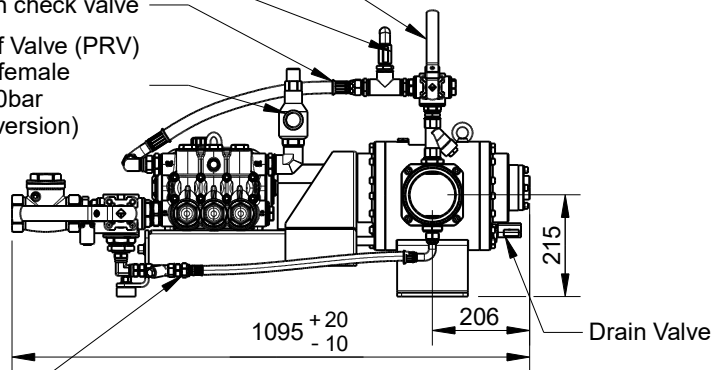
5

6

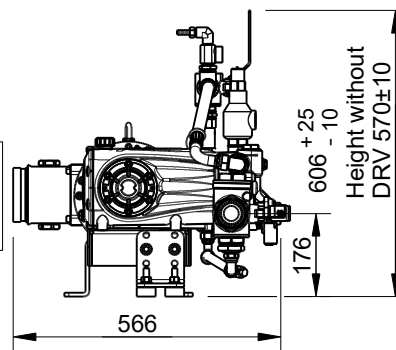
RevNo	Revision note	Date	Signature	Checked
-------	---------------	------	-----------	---------

Optional
Dosing / Return Valve (DRV)
G 3/4" iso 228-1 female

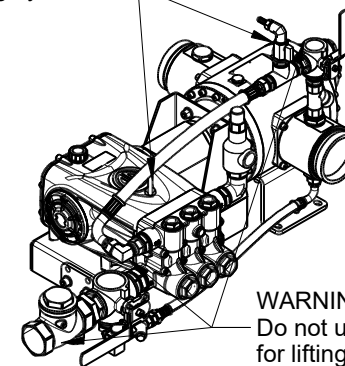
Manual Air Relief Valve
Dosing line with check valve
Pressure Relief Valve (PRV)
G 1" iso 228-1 female
Set pressure 20bar
(Only on DRV version)



Solids free water mandatory, use suitable strainer / filter if necessary



Lifting eyelets



A

A

B

B

Flushing line with filter

Straight pipe requirements
Horizontal bends
Recommended: 10xD before, 5xD after
Required: 5xD before, 2xD after
Vertical bends no straight pipe required

WATER INLET

WATER CONNECTIONS
CUT GROOVE
ANSI/AWWA C606-15
4" - DN100 (114,3mm)

C

C

CONCENTRATE INLET
G 2" - DN50 iso 228-1 female

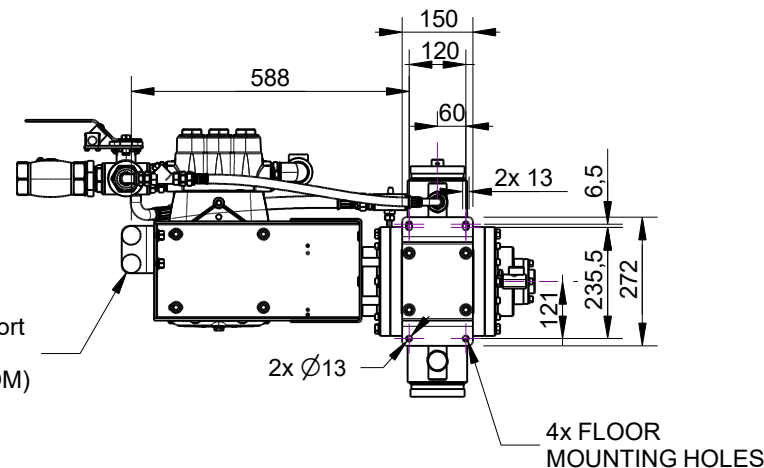
Flap/swing check valve
Selector Valve
DOSING/FLUSHING

WATER/CONCENTRATE
OUTLET

D

D

Dimensions tolerance ± 1mm unless otherwise noted
Reverse water flow direction is optional, layout is then mirrored exactly
Vertical water flow optional, modified layout available on request.
We reserve the right to make changes without prior notice



Drawn by WALLE	Checked by	Approved by - date	File name	Date 2024-02-15	Scale 1:16
-------------------	------------	--------------------	-----------	--------------------	---------------

Firemiks AB VAT no: SE556799500501
www.firemiks.com
info@firemiks.com +46-8-551 196 10

DD - 26051
FIREMIKS 2400-3-PP-F-FA Cut Groove
Copyright of Firemiks AB
All rights reserved - Authorised use only

Edition	Sheet
---------	-------



1

2

3

6