

1

2

3

4

5

6

RevNo	Revision note	Date	Signature	Checked
-------	---------------	------	-----------	---------

Optional Dosing / Return Valve (DRV)  
G 3/4" iso 228-1 female

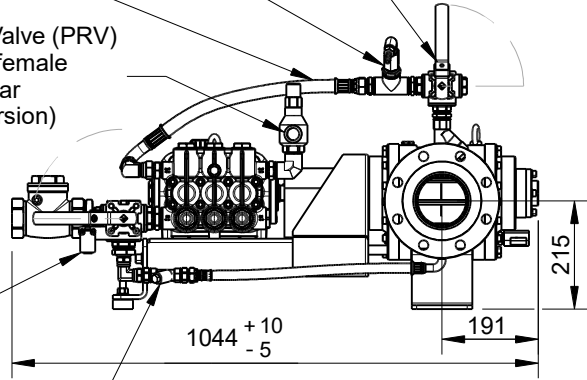
Manual air relief valve

Dosing line with check valve

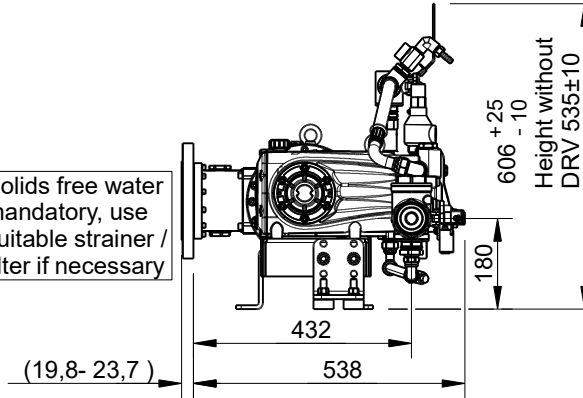
Pressure Relief Valve (PRV)  
G 3/4" iso 228-1 female  
Set pressure 20bar  
(Only on DRV version)

Supervisory Switch  
1NC+1NO

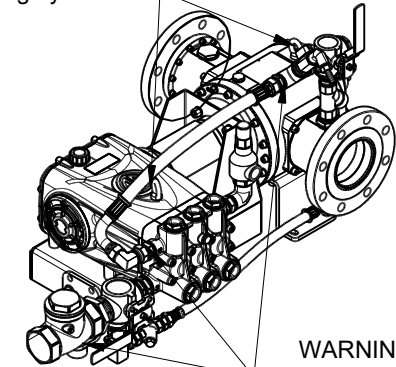
Flushing line with filter



Solids free water mandatory, use suitable strainer / filter if necessary



Lifting eyelets



**Straight pipe requirements**

Horizontal bends  
Recommended: 10xD before, 5xD after  
Required: 5xD before, 2xD after  
Vertical bends no straight pipe required

WATER INLET

WATER CONNECTIONS  
Integrated Flanges  
4" - DN100  
ANSI #150 RF/FF or PN16

CONCENTRATE INLET  
G 2" - DN50  
iso 228-1 female

Flap check valve

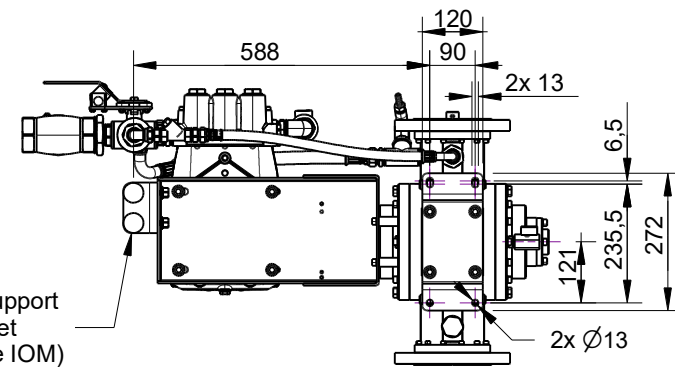
Selector Valve  
Dosing/Flushing

Appearance of pump head different on SS material option

WATER/CONCENTRATE OUTLET

488 (ANSI Flanges)  
484,5 (ANSI FF Flanges)  
480 (PN16 Flanges)

Rubber feet for pump support  
Height adjustable bracket  
Note: Do not fixate! (see IOM)



Dimensions tolerance ± 1mm unless otherwise noted  
Reverse water flow direction is optional, layout is then mirrored exactly  
Vertical water flow optional, modified layout available on request.  
We reserve the right to make changes without prior notice

Drawn by WALLE	Checked by	Approved by - date MKA	File name	Date 2024-01-20	Scale 1:15
-------------------	------------	---------------------------	-----------	--------------------	---------------

**Firemiks AB** VAT no: SE556799500501  
[www.firemiks.com](http://www.firemiks.com)  
[info@firemiks.com](mailto:info@firemiks.com) +46-8-551 196 10

**DD - 26043**  
**FIREMIKS 1800-3-PP-F-FA Flange**

Copyright of Firemiks AB  
All rights reserved - Authorised use only

Edition  
Sheet  
1/1



1

2

3

6