

1

2

3

4

5

6

RevNo	Revision note	Date	Signature	Checked
-------	---------------	------	-----------	---------

Optional Dosing / Return Valve (DRV)
G 3/4" iso 228-1 female

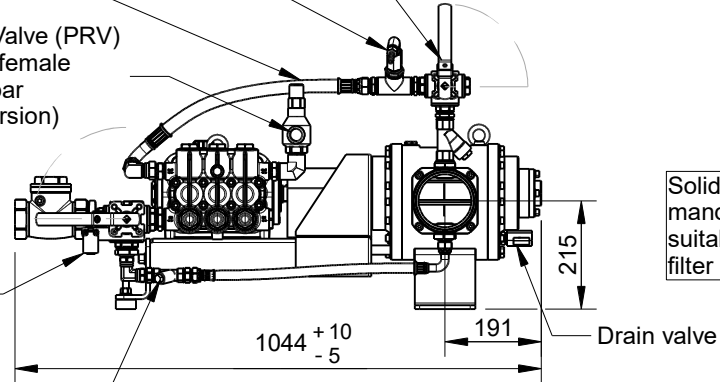
Manual air relief valve

Dosing line with
check valve

Pressure Relief Valve (PRV)
G 3/4" iso 228-1 female
Set pressure 20bar
(Only on DRV version)

Supervisory
Switch
1NC+1NO

Flushing line with filter

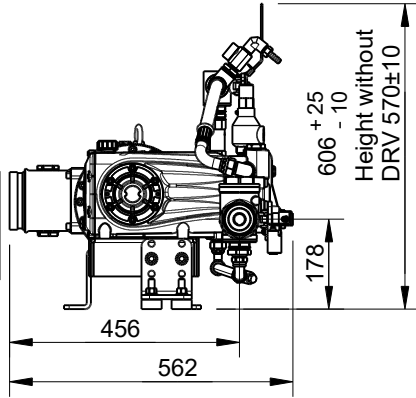


1044 +10
-5

191 Drain valve

215

Solids free water
mandatory, use
suitable strainer /
filter if necessary



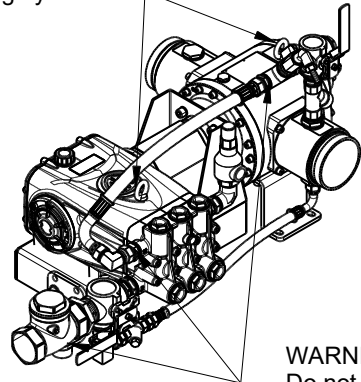
606 +25
-10
Height without
DRV 570±10

178

456

562

Lifting eyelets



WARNING!
Do not use piping
to lift the unit!

Straight pipe requirements

Horizontal bends
Recommended: 10xD before, 5xD after
Required: 5xD before, 2xD after
Vertical bends no straight pipe required

WATER INLET

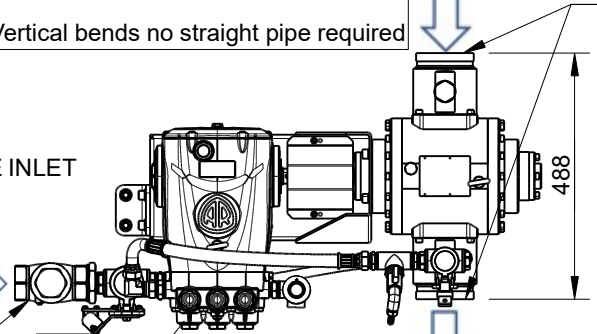
WATER CONNECTIONS
CUT GROOVE
ANSI/AWWA C606-15
4" - DN100 (114,3)

CONCENTRATE INLET
G 2" - DN50
iso 228-1
female

Check flap
valve
Selector Valve
Dosing/Flushing

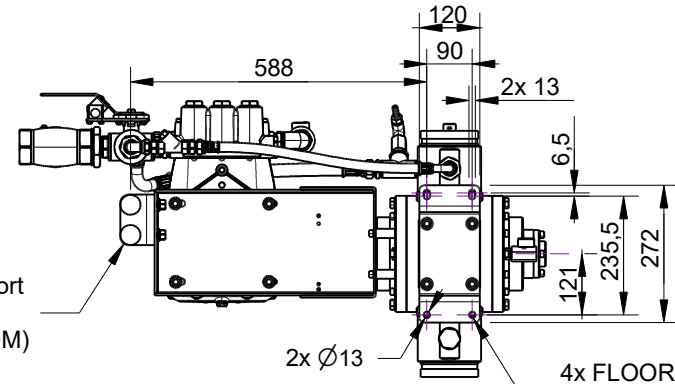
Appearance of
pump head different
on SS material option

WATER/CONCENTRATE
OUTLET



488

Rubber feet for pump support
Height adjustable bracket
Note: Do not fixate! (see IOM)



2x Ø13

4x FLOOR
MOUNTING HOLES

120

90

2x 13

6.5

121

235.5

272

Dimensions tolerance ± 1mm unless otherwise noted
Reverse water flow direction is optional, layout is then mirrored exactly
Vertical water flow optional, modified layout available on request.
We reserve the right to make changes without prior notice

Drawn by WALLE	Checked by	Approved by - date MKA	File name	Date 2024-01-20	Scale 1:15
-------------------	------------	---------------------------	-----------	--------------------	---------------

Firemiks AB VAT no: SE556799500501
www.firemiks.com
info@firemiks.com +46-8-551 196 10

DD - 26041
FIREMIKS 1800-3-PP-F-FA Cut Groove

Copyright of Firemiks AB
All rights reserved

Edition

Sheet
1/1

1

2

3

6