

1

2

3

4

5

6

RevNo

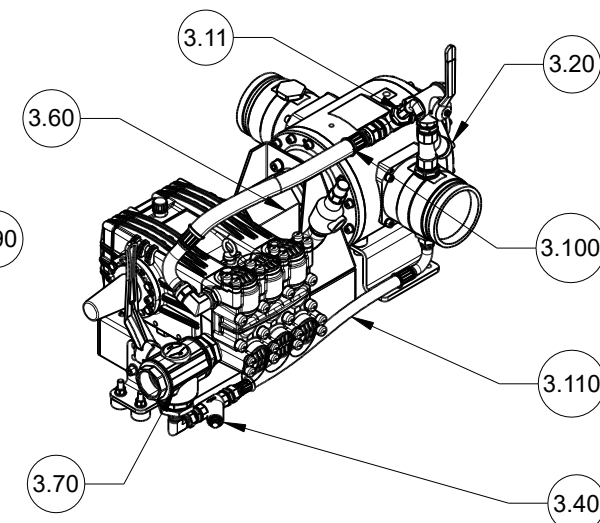
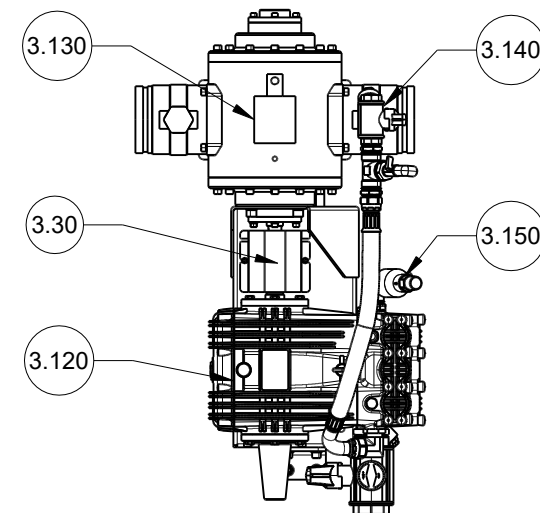
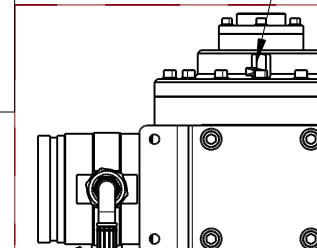
Revision note

Date

Signature

Checked

Ref.nr.	Part Name	Materials
3.11 3.90	Manual air relief valve Drain valve	ALU version: Brass, Stainless steel SS316, PTFE, plastic handle BRZ version: Stainless steel SS316, PTFE, plastic handle
3.20	Check valve	1.4408, 1.4301, PTFE
3.30	Complete drive gear	Gear halves: Alu or Steel (8000-10000 size) Spidex: PU
3.40	Filter	Housing EN 1.4408, Mesh SS, Seat PTFE
3.50	Pump Bracket and supports	Stainless steel 1.4301
3.60	Drive Gear Protection	Stainless steel 1.4301
3.70 3.140	Ball Valves Inlet concentrate pump and (optional Dosing Return Valve DRV)	ALU version: Housing: Brass Nickel plated Handle: aluminium BRZ and SS version: Housing SS316 Handle: SS304 and vinyl All versions: Ball and spindle SS316 Seat, packing and seals RTFE/PTFE
3.100 3.110	Dosing line and Flushing line: Fittings, Seals, Hoses	Fittings: EN 1.4404 and EN 1.4571 Seals: SS316 and NBR Hoses: PTFE + SS 2333 and SS 1.4404 Plugs: 1.4404
3.150	Pressure Relief Valve (PRV) (Included with DRV)	Body and Seat 1.4408 Cap, screw and nut 1.4305 Coupling and nut 1.4401 Spring 1.4310 Screw and nut 1.4305 Seal PTFE



Note: for water motor or concentrante pump parts, see separate listings

FOR ORDERING SPARE PARTS:

Please state:

- Serialnumber of the complete unit
- Ref.nr. and part name(s), and quantity requested

Drawn by
WALLE

Checked by

Approved by - date

File name

Date
2021-12-28

Scale

Firemiks AB

P.O.Box 8155

SE-104 20 STOCKHOLM, Sweden

info@firemiks.com +46-8-551 196 10

**SPARE PART and MATERIALS DRAWING 3
FIREMIKS PP COMPLETE**

Copyright of Firemiks AB
All rights reserved - Authorised use only

Edition

Sheet

1

2

3

6