

1

2

3

4

5

6

**Recommended spare parts:**

Ref.nr.	#	Part Name
3.10	1	Automatic air relief valve
3.11	1	Manual air relief valve
3.20	1	Check valve
3.30	1	Complete drive gear + Wedges
3.40	1	Filter or filter valve

**Other spare parts**

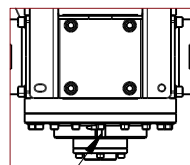
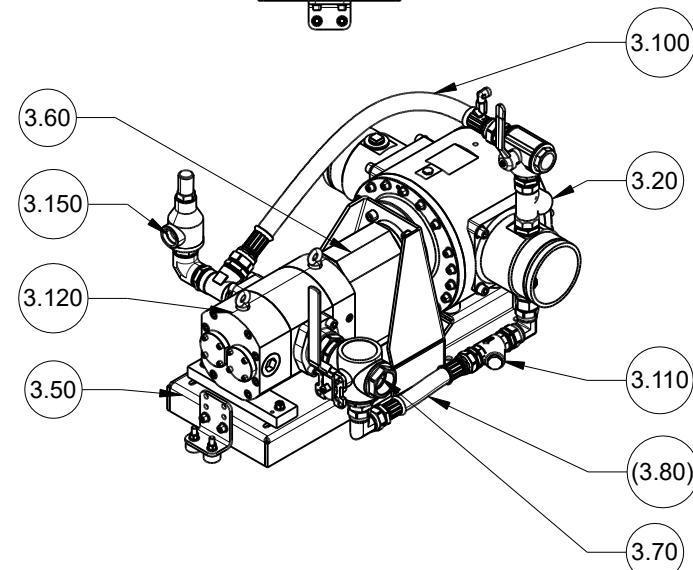
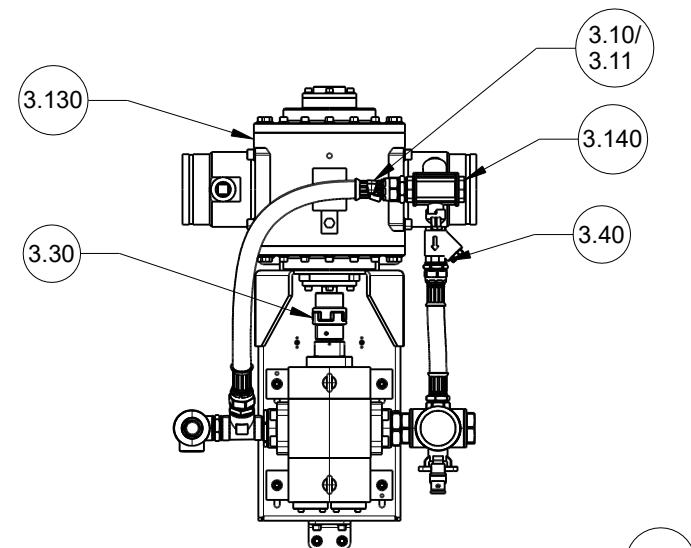
Ref.nr.	#	Part name
3.50	1	Pump bracket (Fasteners incl.)
3.60	1	Drive gear protection (Fasteners incl.)
3.70	1	Ball valve inlet gear pump
3.80	1	Ball valve flushing valve (Only larger flow sizes)
3.90	1	Drain valve
3.100	1	Set of complete foam line (Couplings, pipes and check valve)
3.110	1	Set of complete flushing line (Couplings, pipes, (ball valve) and filter)
3.120	1	Complete gear pump (incl. fasteners)
3.130	1	Complete water motor
3.140	1	(optional equipment: dosing return valve)
3.150	1	(optional equipment with dosing return valve: Pressure relief valve)

Note: for water motor and gear pump parts, see separate list

**FOR ORDERING SPARE PARTS:****Please state:**

- Serialnumber of the complete unit
- Ref.nr. and part name(s), and quantity requested

RevNo	Revision note	Date	Signature	Checked



3.90

View from below

Drawn by WALLE	Checked by	Approved by - date	File name	Date 2021-11-05	Scale
<b>Firemiks AB</b> P.O.Box 8155 SE-104 20 STOCKHOLM, Sweden info@firemiks.com +46-8-551 196 10			<b>SPARE PART DRAWING 3</b> <b>FIREMIKS GP COMPLETE G8</b>		Edition
Copyright of Firemiks AB All rights reserved - Authorised use only			Edition		Sheet

1

2

3

6