

1

2

3

4

5

6

RevNo

Revision note

Date

Signature

Checked

**Recommended spare parts:**

Ref.nr.	#	Part name
2.10	1	Mechanical seal Foam pump
2.20	1	Set of O-rings Foam pump (3 pcs)
2.30	1	Set of Gaskets foam pump (2 pcs)

**Other spare parts**

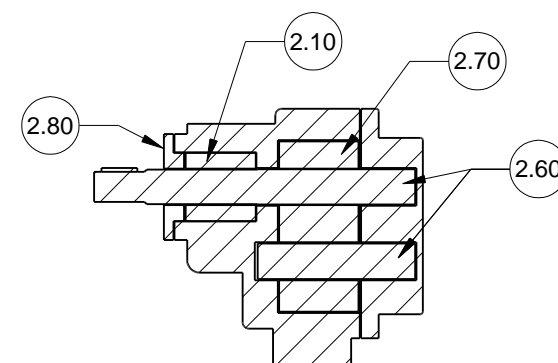
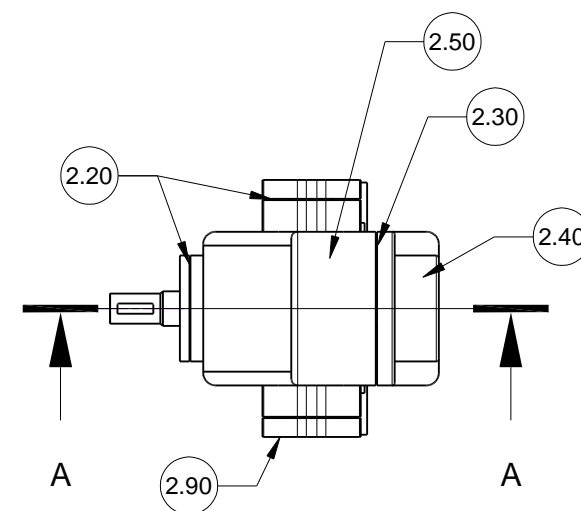
Ref.nr.	#	Part Name	Material
2.40	1	Cover (Gasket, fasteners and pin incl.)	Bronze
2.50	1	Body (Gasket, fasteners and pin incl.)	Bronze
2.60	1	Set of Shafts, driving and driven (2 pcs) (Keys included)	Stainless steel
2.70	1	Set of Gears, driving and driven (2 pcs) (Keys included)	Bronze alloy
2.80	1	Cover Mechanical seal (Fasteners incl.)	Stainless steel
2.90	1	Set of Flanges (2 pcs) (Fasteners and O-rings incl.)	Bronze

**Specification:**

- Standard finish: red paint for pump housing

**FOR ORDERING SPARE PARTS:****Please state:**

- Serialnumber of the complete unit
- Ref.nr. and part name(s), and quantity requested



Section A-A

Drawn by  
WALLE

Checked by

Approved by - date

File name

Date  
2014-06-22

Scale

**Firemiks AB****P.O.Box 8155****SE-104 20 STOCKHOLM, Sweden****info@firemiks.com +46-8-551 196 10****SPARE PART DRAWING 2 FOAM PUMP**

Copyright of Firemiks AB  
All rights reserved

Edition

Sheet

1

2

3

6