

Recommended spare parts:

Ref. nr.	#	Part name	Material
1.10	1	Set of Vanes (5 or 4 pcs) (Fasteners incl.)	PETG
1.20	1	Set of Mechanical seals (2 pcs)	Car/SiC/E.P./SS304
1.30	1	Set of Ball Bearings (2 pcs)	AISI 440C, NBR
1.40	1	Set of O-rings (8 or 6 pcs)	NBR 70
1.45	1	Set of gable inserts (2 pcs)	POM

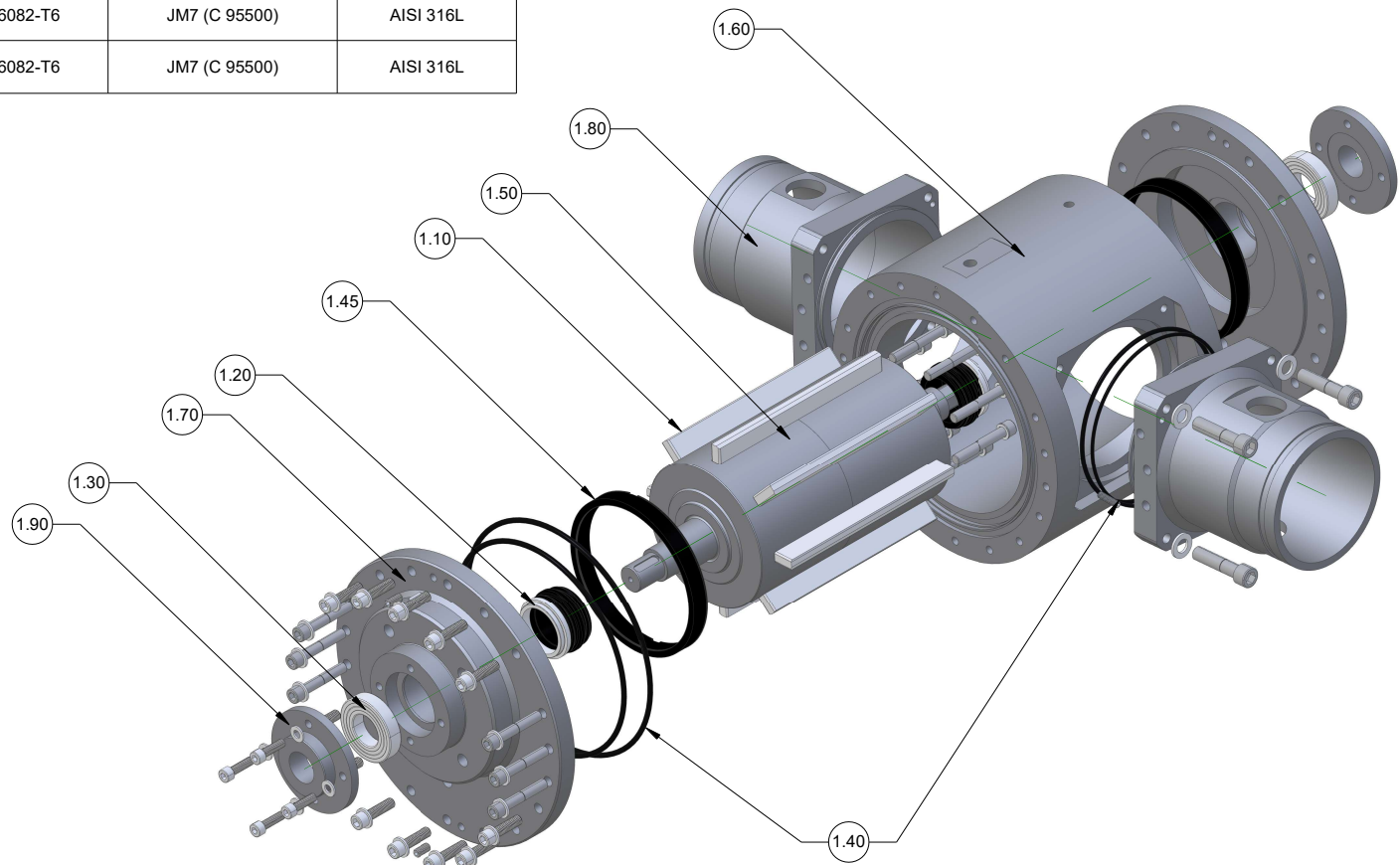
Other spare parts

Ref. nr.	#	Part name	Material Alu version	Material Al-Ni-Bronze version	Material SS version
1.50	1	Complete Rotor (vanes, wedge, fasteners incl.)	Al-7075-T6	JM7 (C 95500)	AISI 316L
1.60	1	Middle Part (O-rings, fasteners and pin incl.)	Al-6082-T6	JM7 (C 95500)	AISI 316L
1.70	2	Gable (O-rings, fasteners and pin incl.)	Al-6082-T6	JM7 (C 95500)	AISI 316L
1.80	2	Connection Pipes (O-rings, plugs and fasteners incl.)	Al-6082-T6	JM7 (C 95500)	AISI 316L
1.90	1	Set of Ball Bearing Supports (2 pcs, incl. fasteners)	Al-6082-T6	JM7 (C 95500)	AISI 316L

Finish: Hard anodised PTFE modified

Note:

All fasteners: Stainless steel AISI 316
O-rings: NBR



FOR ORDERING SPARE PARTS:

Please state:

- Serialnumber of the complete unit
- Ref.nr. and part name(s), and quantity requested

Drawn by WALLE	Checked by	Approved by - date	Date 2020-10-01	Scale - Paper size A3
Firemiks AB P.O. Box 8155 SE-104 20 STOCKHOLM, Sweden info@firemiks.com +46-8-551 196 10			SPARE PART DRAWING MATERIALS FIREMIKS WATER MOTOR	
Copyright of Firemiks AB All rights reserved - Authorised use only			Edition	Sheet 1 of 1